



1



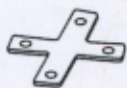
2



3



4



1	1x
2	1x
3	1x
4	1x

A



M6x16mm
4x

B



M6x45mm
4x

C



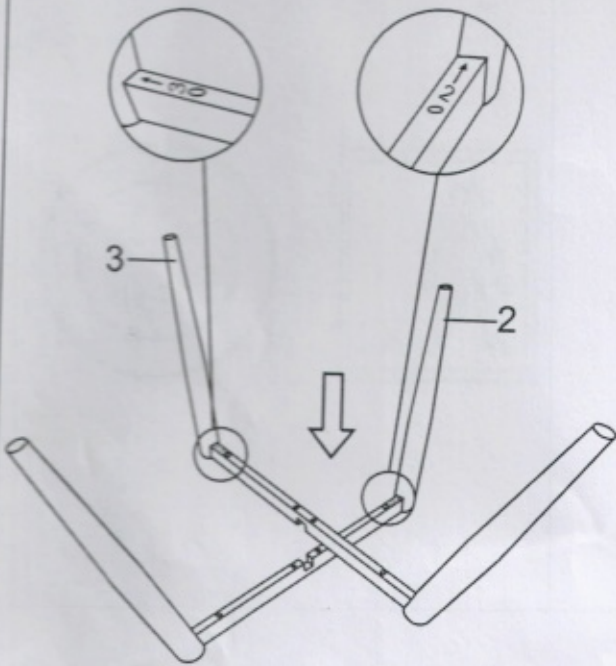
4x

D

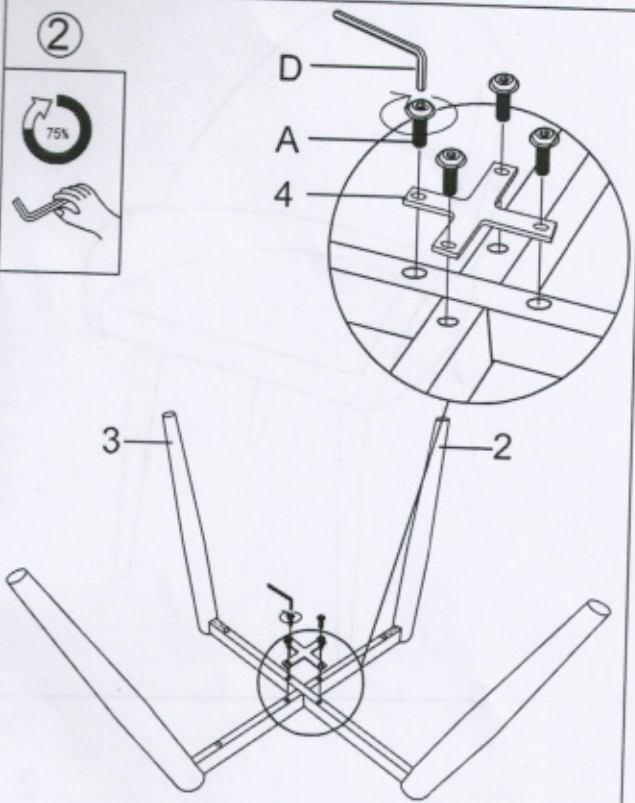


5MM
1x

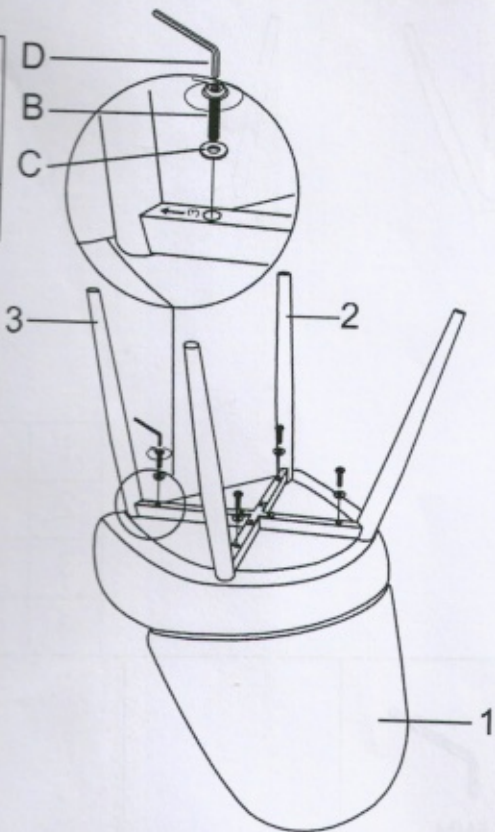
①



②



③



④

